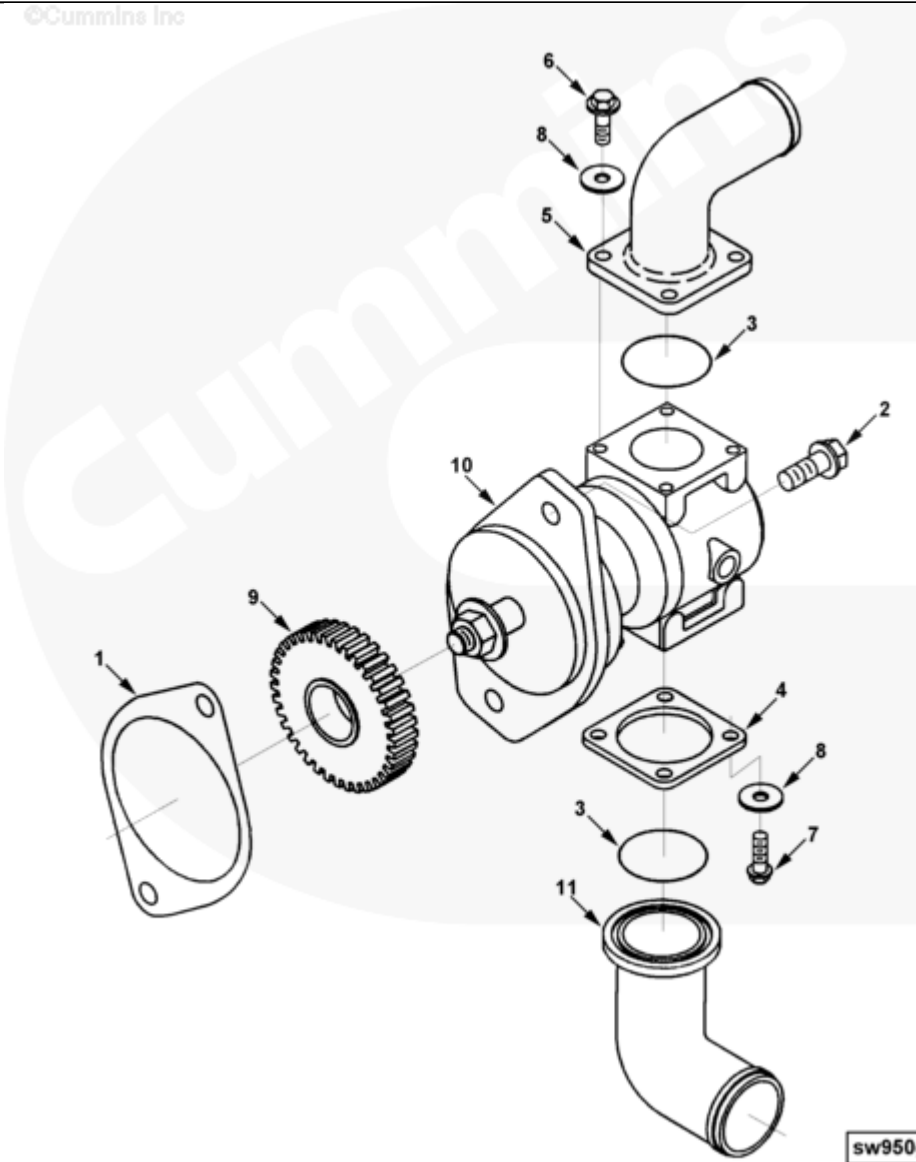




Parts Catalog - Option Detail

Electronic Parts Catalog - Option Detail				
Option	Group	Graphic	Film Card	Date
SW9466-02	08.11	sw950gl	Z	07-OCT-02
Engines	6C8.3, C GAS PLUS CM556, G8.3, G8.3 CM558, GTA8.3 CM558, ISC CM2150, ISC CM554, ISC CM850, ISC8.3 CM2250, ISC8.3 G CM2180 C101, ISL CM2150, ISL CM554, ISL CM850, ISL G CM2180, ISL8.9 CM2150 L110, ISL8.9 CM2880 L112, ISL9 CM2150 SN, ISL9 CM2250, ISL9 CM2350 L101, ISL9 CM2350 L111, ISLE4 CM850, L GAS PLUS CM556, L8.9, L8.9 L121, L8.9G CMOH2.0 L125B, L9 CM2350 L116B, L9 CM2350 L119B, L9 CM2350 L120C, L9 CM2350 L123B, L9.3 L105, L9.5 L117, L9N CM2380 L124B, QSC8.3 CM2250, QSC8.3 CM2880 C102, QSC8.3 CM554, QSC8.3 CM850(CM2850), QSL9 CM2250, QSL9 CM2250 L115, QSL9 CM2350 L102, QSL9 CM2350 L107, QSL9 CM2350 L118, QSL9 CM2350 L122, QSL9 CM554, QSL9 CM850(CM2850), QSL9 G CM558, QSL9 M CM2250 L106, QSL9.3 CM2880 L113			



sw950gl

Cart	Ref No	Part Number	Part Description	Required	Remarks
View My Cart					
		SW9466-02	Sea Water Pump		
					Cylinders: 6
					Manufacturing-model:
					Sherwood p1730 SBD
					Flow Rate GPM at RPM (8 PSI
					back pressure): TBD
					Drive Method: Accessory
					Drive Gear
					Outlet Flange: 101-2 (SAE B)
					Inlet Outside Diameter:50.8mm
					Outlet Outside Diameter:
					44.50mm
					Marine Up Grade engine: Yes
					Restricted Fuel Pump:
					Bosch P7100
					Engine Family: "C" Series
<input type="checkbox"/>	1	3008400	Hydraulic Pump Gasket	1	
<input type="checkbox"/>	2	3910495	Hexagon Flange Head Cap Screw	2	M12 X 1.75 X 30.
<input type="checkbox"/>		4003526	Sea Water Pump	1	
<input type="checkbox"/>	3	3866102	O-Ring Seal	2	
<input type="checkbox"/>	4	3866706	Flange	1	
<input type="checkbox"/>	5	3866707	Water Outlet Connection	1	
<input type="checkbox"/>	6	3900630	Hexagon Flange Head Cap Screw	4	M8 X 1.25 X 20
<input type="checkbox"/>	7	3900631	Hexagon Flange Head Cap Screw	4	M8 X 1.25 X 25.
<input type="checkbox"/>	8	3924653	Plain Washer	8	8.4mm
<input type="checkbox"/>	9	3931338	Accessory Drive Gear	1	
<input type="checkbox"/>	10	3964765	Sea Water Pump	1	

<input type="checkbox"/>	11	4003528	Sea Water Connection	1	
<input type="checkbox"/>		3897337	Raw Water Pump-Minor Kit	1	
					parts needed for impeller
					change.
<input type="checkbox"/>		3897338	Raw Water Pump-Intermediate Kit	1	Contains parts needed to
					rebuild the water side of the
					pump; no oil side components
					are included.
<input type="checkbox"/>		3897339	Raw Water Pump Major Kit	1	Contains all the parts
					including seals, bearings,
					and the impeller that is
					needed to rebuild the entire
					pump.